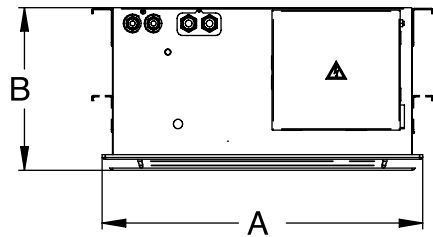
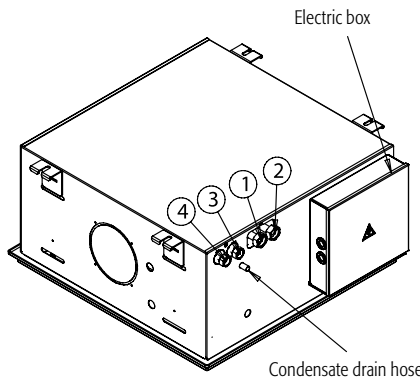
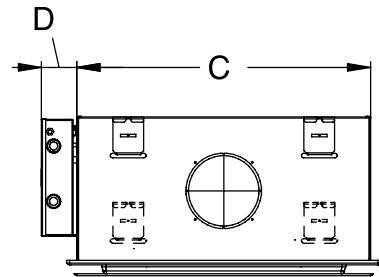
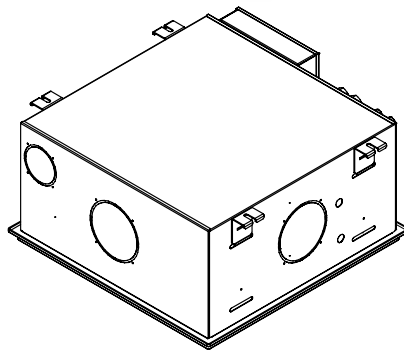


DIMENSIONS

UCS 600



2 pipe system

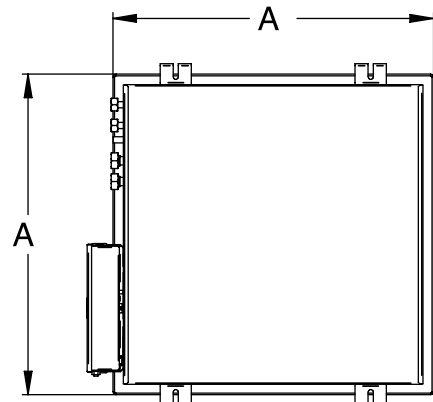
1	Water Inlet	3/4" F
2	Water outlet	3/4" F

4 pipe system

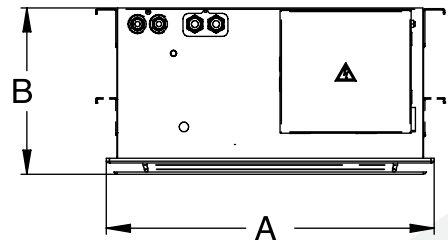
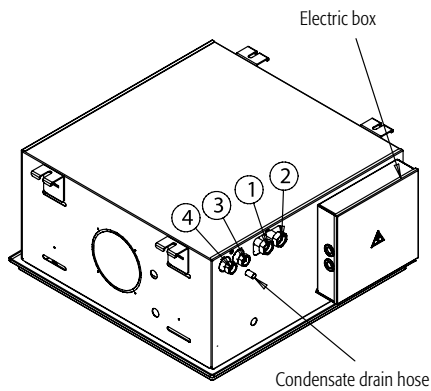
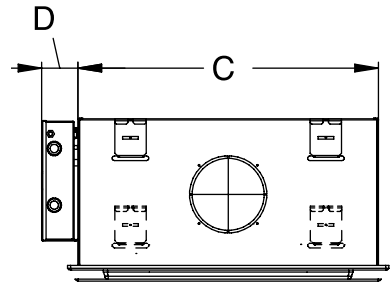
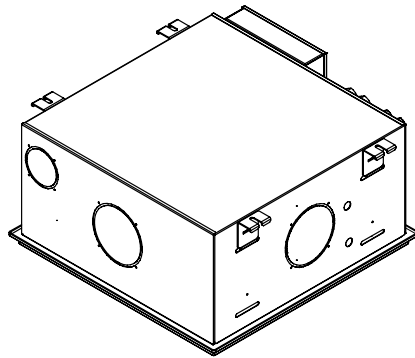
1	Inlet cooling water	3/4" F
2	Outlet cooling water	3/4" F
3	Inlet heating water	1/2" F
4	Outlet heating water	1/2" F

Dimensions (mm) and weights UCS600

A	615
B	312
C	575
D	70
Kg	30



UCS/M 600



2 pipe system

1	Water Inlet	3/4" F
2	Water outlet	3/4" F

4 pipe system

1	Inlet cooling water	3/4" F
2	Outlet cooling water	3/4" F
3	Inlet heating water	1/2" F
4	Outlet heating water	1/2" F

Dimensions (mm) and weights UCS/M 600

A	615
B	312
C	575
D	70
Kg	30

